

2-Pole, 50 Hz



KOMAX



Borehole Submersible Pumps Stainless Steel KPS Series

For 5, 6, 8, 10 & 12-inch Borehole

Komax (Private) Limited Pakistan takes great pride in being the pioneer in Pakistan's manufacturing industry, holding ISO 9001:2015, ISO 14001:2015, and ISO 45001:2018 certifications. We stand as the first-ever producer of 6, 8, and 10-inch NEMA Submersible Motors in the country. Our cutting-edge manufacturing facility, situated at Plot No. 722 in Sundar Industrial Estate Lahore, spans an impressive 110,000 square feet.

At KOMAX, we specialize in crafting high-quality submersible motors and pumps that adhere to the rigorous standards of IEC 60034-1, complemented by CE certification and PSQCA-certified Pakistan Standard PS/IEC/86/60034-1/2012 License No. CML/N-1268/2018.

Our flagship products, the 6, 8, 10 and 12-inch NEMA Submersible Motors – KM6, KM8, KM10 and KM12, cater to various industries, including agriculture, industrial, commercial, oil fields, municipalities, and any systems requiring water pumping from deep wells.

Our state-of-the-art facility is equipped with the latest CNC machines and features a fully automated winding insertion and assembly line of German and Italian origin. With an annual production capacity of 30,000 units, Komax motors have earned a reputation for reliability, not only in the local market but also in the international arena. We are experiencing significant growth in markets across the Middle East, North America, South America, Europe, and Africa.





Sr #	Description	Page No.	
1	Salient Features, Applications & Technical Specification	4	KPS5
2	Construction Materials & Pump Type Identification	5	
3	Group Performance Curve @ 50 Hz / 2-Pole / 2850 rpm	5	
4	KPS5 5" > Pump Type Summary	6	
5	KPS5 5" > Pump Parts List and Exploded View	7	
6	KPS5 5" > KPS5-08 > Pump Selection Chart & Technical Data	8	
7	KPS5 5" > KPS5-08 > Pump Performance Curve @ 2-Pole / 2850 rpm	9	
8	KPS6 6" > Pump Type Summary	10	
9	KPS6 6" > Pump Parts List and Exploded View	11	
10	KPS6 6" > KPS6-17 > Pump Selection Chart & Technical Data	12	
11	KPS6 6" > KPS6-17 > Pump Performance Curve @ 2-Pole / 2850 rpm	13	
12	KPS6 6" > KPS6-20 > Pump Selection Chart & Technical Data	14	
13	KPS6 6" > KPS6-20 > Pump Performance Curve @ 2-Pole / 2850 rpm	15	
14	KPS6 6" > KPS6-30 > Pump Selection Chart & Technical Data	16	
15	KPS6 6" > KPS6-30 > Pump Performance Curve @ 2-Pole / 2850 rpm	17	
16	KPS6 6" > KPS6-50 > Pump Selection Chart & Technical Data	18	
17	KPS6 6" > KPS6-50 > Pump Performance Curve @ 2-Pole / 2850 rpm	19	
18	KPS6 6" > KPS6-60 > Pump Selection Chart & Technical Data	20	KPS8
19	KPS6 6" > KPS6-60 > Pump Performance Curve @ 2-Pole / 3450 rpm	21	
20	KPS8 8" > Pump Type Summary	22	
21	KPS8 8" > Pump Parts List and Exploded View	23	
22	KPS8 8" > KPS8-80 > Pump Selection Chart & Technical Data	24	
23	KPS8 8" > KPS8-80 > Pump Performance Curve @ 2-Pole / 3450 rpm	25	
24	KPS8 8" > KPS8-100 > Pump Selection Chart & Technical Data	26	
25	KPS8 8" > KPS8-100 > Pump Performance Curve @ 2-Pole / 2850 rpm	27	
26	KPS10 10" > Pump Type Summary	28	KPS10
27	KPS10 10" > Pump Parts List and Exploded View	29	
28	KPS10 10" > KPS10-125 > Pump Selection Chart & Technical Data	30	
29	KPS10 10" > KPS10-125 > Pump Performance Curve @ 2-Pole / 2850 rpm	31	
30	KPS10 10" > KPS10-160 > Pump Selection Chart & Technical Data	32	
31	KPS10 10" > KPS10-160 > Pump Performance Curve @ 2-Pole / 2850 rpm	33	KPS12
32	KPS12 12" > Pump Type Summary	34	
33	KPS12 12" > Pump Parts List and Exploded View	35	
34	KPS12 12" > KPS12-220 > Pump Selection Chart & Technical Data	36	
35	KPS12 12" > KPS12-220 > Pump Performance Curve @ 2-Pole / 2850 rpm	37	



Salient Features

Introducing our latest lineup of stainless steel submersible pumps – the KPS5, KPS6, KPS8, KPS10 and KPS12, available in 5-inch, 6-inch, 8-inch, 10-inch and 12-inch variants. These pumps have been meticulously crafted in response to market demands. Their compact yet dependable hydraulic design guarantees exceptional overall efficiency, resulting in reduced energy consumption and, consequently, lower operational costs for your pumping system. Crafted with precision, these pumps feature high-quality stainless steel delivery casings, suction pieces, impellers, and diffusers to provide corrosion resistance and ensure a prolonged, trouble-free lifespan.



Applications

The versatility of Komax pumps shines through in their ability to excel in a diverse range of applications. Their remarkable efficiency and unwavering reliability make them ideal for various scenarios, including domestic and civil water supplies, industrial cooling processes, firefighting systems, showers, running irrigation, agriculture, drip irrigation, sprinkler systems, the mining industry, and drainage and de-watering applications. These pumps are specially designed to handle clean, low-viscosity liquids that are non-aggressive and free from solid particles or fibers, with a sand content not exceeding 55 grams per cubic meter.



Domestic



Civil



Industrial



Agriculture



Sprinkle



Fire-Fighting



Technical Specification

5 nrs. / 11 nrs. pump types or sizes / models

50 Hz frequency

2 Poles / 2850 rpm pump speed

up to 300 m³/h pump flow / capacity

up to 567 meters pump head

up to 186 kW pump power

Clean Water pumping liquid

55 gm / m³ maximum sand contents

-5 °C minimum water temperature

50 °C maximum water temperature

Counterclock-wise facing delivery side direction of rotation

1 meter min. rec. head of water above pump suction



Construction Materials

Parts Name	Standard Material	Optional Material
Delivery Casing	Stainless Steel AISI 304	Stainless Steel AISI 316
Suction Casing	Stainless Steel AISI 304	Stainless Steel AISI 316
Bowl / Diffuser	Stainless Steel AISI 304	Stainless Steel AISI 316
Impeller	Stainless Steel AISI 304	Stainless Steel AISI 316
Pump Shaft	Stainless Steel AISI 304	Stainless Steel AISI 316
Pump Coupling	Stainless Steel AISI 304	Stainless Steel AISI 316
Pump Strainer	Stainless Steel AISI 304	Stainless Steel AISI 316
Impeller Seat	Rubber	Rubber
Bush Diffuser	Rubber	Rubber
Cable Guard	Stainless Steel AISI 304	Stainless Steel AISI 316
Tie Rod / Strip	Stainless Steel AISI 304	Stainless Steel AISI 316



Pump Type Identification

KPS6-50/12

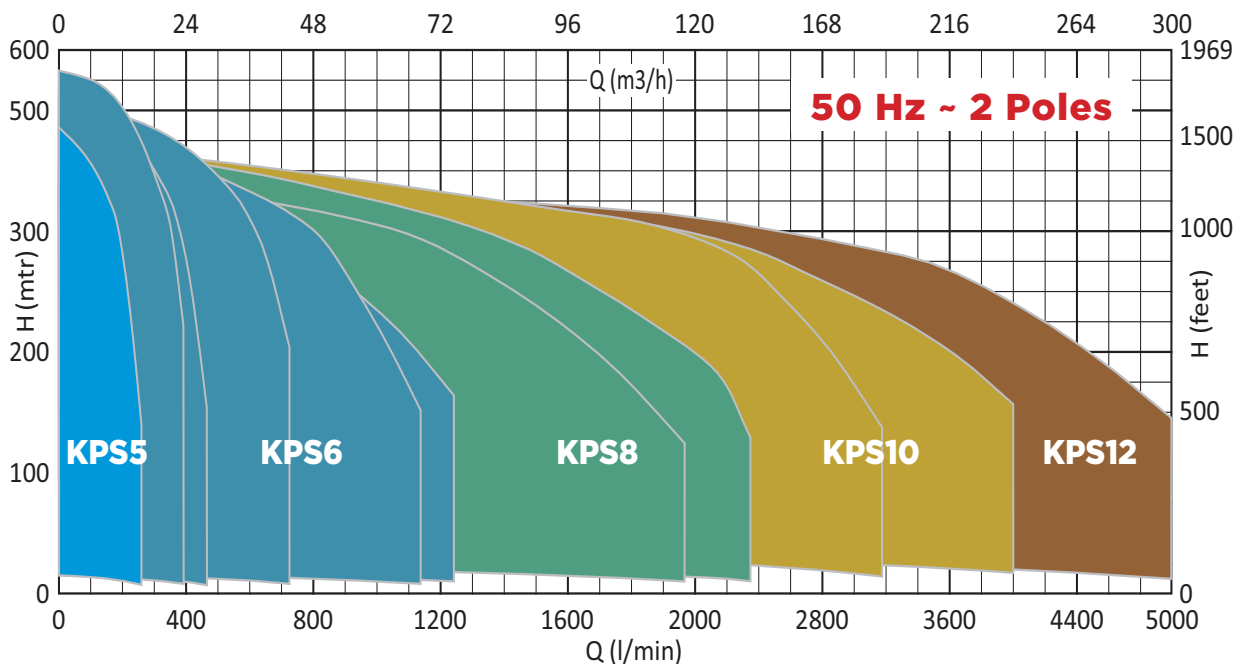
Komax Stainless Steel Deepwell Submersible Pump

Nominal Pump Dia in Inches

Nominal Pump Flow in m³/h

Nos. of Impellers / Stages

Group Performance Curve





KPS5

5" Borehole Stainless Steel Submersible Pumps

Models Range

KPS5-08

Power Range

From: 0,75 HP (0,55 kW)

To: 20 HP (15 kW)

Performance Range

Flow Upto: 250 LPM (15 m³/h)

Head Upto: 471 Meters (1,545 Feet)

Speed Range

2 Poles, 2850 RPM, 50 Hz

Construction Material

Standard: Stainless Steel 304

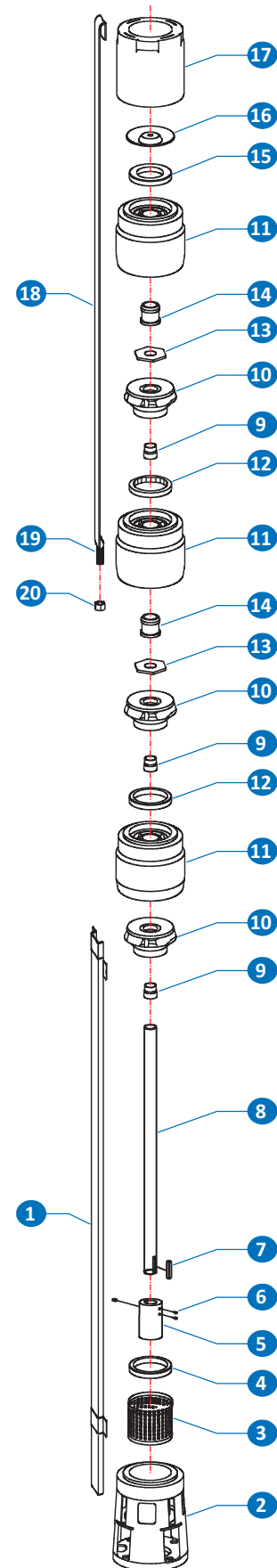
Optional: Stainless Steel 316





Parts List Pump KPS5

Pos.	Item Code	Part Name	Material
1	55101260	Cable Guard	Stainless Steel AISI 304
2A	55110007	Suction Piece 4" NEMA KPS5-08	Stainless Steel AISI 304
2B	55110010	Suction Piece 6" NEMA KPS5-08	Stainless Steel AISI 304
3	55110026	Strainer/Screen KPS5-08	Stainless Steel AISI 304
4	55110028	Impeller Seat Rubber Suction KPS5-08	Rubber
5A	55110020	Coupling 4"N KPS5-08- Shaft 17 mm	Stainless Steel AISI 304
5B	55110022	Coupling 6"N KPS5-08- Shaft 17 mm	Stainless Steel AISI 304
6	55110030	Coupling Screw KPS5-08	Stainless Steel AISI 304
7	55110032	Coupling Key KPS5-08	Stainless Steel AISI 304
8	55111050	Pump Shaft KPS5-08 17 mm	Stainless Steel AISI 304
9	55110034	Threaded Taper Cone KPS5-08	Stainless Steel AISI 304
10	55110015	Impeller KPS5-08	Stainless Steel AISI 304
11	55110017	Laser Welded Chamber Diffuser SS KPS5-08	Stainless Steel AISI 304
12	55110024	Impeller Seat Rubber KPS5-08	Rubber
13	55110036	Hex Cone Nut 17 mm	Stainless Steel AISI 304
14	55110038	Bush Diffuser Chamber KPS5-08	Rubber
15	55110040	Check Valve Seat	Rubber
16	55110042	Check Valve Disc	Stainless Steel AISI 304
17	55111000	Delivery Casing KPS5-08-G2.5"	Stainless Steel AISI 304
18	55121034	Tie Rod / Strip 2 x 28 mm	Stainless Steel AISI 304
19A	55121160	Bolt M12x55 KPS5-08- 6"N	Stainless Steel AISI 304
19B	55121161	Bolt M10x45 KPS5-08- 4"N	Stainless Steel AISI 304
20A	55121165A	Nut Hex M10 KPS5-08	Stainless Steel AISI 304
20B	55121165B	Nut Hex M12 KPS5-08	Stainless Steel AISI 304



KPS5

FOR 5-INCH BORE HOLE



KPS5-08

FOR 5-INCH BORE HOLE

50 Hz		PUMP SELECTION CHART - 2-POLE / 2850 RPM										PUMP	
		MOTOR		Q (LPM)	0	50	100	150	183	217	250	Length (mm)	Weight (Kg)
PUMP TYPE	Stage	HP	KW	Q (m3h)	0	3	6	9	11	13	15		
KPS5-08/1	1	0,75	0,55	Head in Meters	11	10,3	9,5	8,2	7	5,3	3,2	280	4,4
KPS5-08/2	2	1	0,75		22	21	19	16	14	11	6	320	5,1
KPS5-08/3	3	1,5	1,1		33	31	28	25	21	16	10	360	5,8
KPS5-08/4	4	2	1,5		44	41	38	33	28	21	13	400	6,6
KPS5-08/5	5	3	2,2		55	52	47	41	35	27	16	440	7,3
KPS5-08/6	6	3	2,2		66	62	57	49	42	32	19	480	8,1
KPS5-08/7	7	4	3		77	72	66	57	49	37	22	520	8,8
KPS5-08/8	8	4	3		88	83	76	66	56	42	25	560	9,5
KPS5-08/9	9	4	3		99	93	85	74	63	48	29	600	10,3
KPS5-08/10	10	5,5	4		110	103	95	82	70	53	32	640	11,0
KPS5-08/11	11	5,5	4		120	113	104	90	76	58	35	680	11,8
KPS5-08/12	12	5,5	4		131	124	114	98	83	64	38	720	12,5
KPS5-08/13	13	7,5	5,5		142	134	123	107	90	69	41	760	13,2
KPS5-08/14	14	7,5	5,5		153	144	133	115	97	74	45	800	14,0
KPS5-08/15	15	7,5	5,5		164	155	142	123	104	80	48	840	14,7
KPS5-08/16	16	7,5	5,5		175	165	152	131	111	85	51	880	15,5
KPS5-08/17	17	10	7,5		186	175	161	139	118	90	54	920	16,2
KPS5-08/18	18	10	7,5		197	186	171	147	125	96	57	960	17,0
KPS5-08/19	19	10	7,5		208	196	180	156	132	101	60	1000	17,7
KPS5-08/20	20	10	7,5		219	206	190	164	139	106	64	1040	18,4
KPS5-08/21	21	10	7,5		230	217	199	172	146	112	67	1080	19,2
KPS5-08/22	22	10	7,5		241	227	209	180	153	117	70	1120	19,9
KPS5-08/23	23	12,5	9,3		252	237	218	188	160	122	73	1160	20,7
KPS5-08/24	24	12,5	9,3		263	248	228	197	167	127	76	1200	21,4
KPS5-08/25	25	12,5	9,3		274	258	237	205	174	133	80	1240	22,1
KPS5-08/26	26	12,5	9,3		285	268	247	213	181	138	83	1280	22,9
KPS5-08/27	27	12,5	9,3		296	279	256	221	188	143	86	1320	23,6
KPS5-08/28	28	15	11		307	289	266	229	195	149	89	1360	24,4
KPS5-08/29	29	15	11		318	299	275	238	202	154	92	1400	25,1
KPS5-08/30	30	15	11		329	310	284	246	209	159	95	1440	25,8
KPS5-08/31	31	15	11		339	320	294	254	216	165	99	1480	26,6
KPS5-08/32	32	15	11		350	330	303	262	222	170	102	1520	27,3
KPS5-08/33	33	17,5	13		361	340	313	270	229	175	105	1560	28,1
KPS5-08/34	34	17,5	13		372	351	322	279	236	181	108	1600	28,8
KPS5-08/35	35	17,5	13		383	361	332	287	243	186	111	1640	29,5
KPS5-08/36	36	17,5	13		394	371	341	295	250	191	115	1680	30,3
KPS5-08/37	37	17,5	13		405	382	351	303	257	196	118	1720	31,0
KPS5-08/38	38	17,5	13		416	392	360	311	264	202	121	1760	31,8
KPS5-08/39	39	20	15		427	402	370	320	271	207	124	1800	32,5
KPS5-08/40	40	20	15		438	413	379	328	278	212	127	1840	33,3
KPS5-08/41	41	20	15		449	423	389	336	285	218	131	1880	34,0
KPS5-08/42	42	20	15		460	433	398	344	292	223	134	1920	34,7
KPS5-08/43	43	20	15		471	444	408	352	299	228	137	1960	35,5

2-inch Pump outlet (DN)

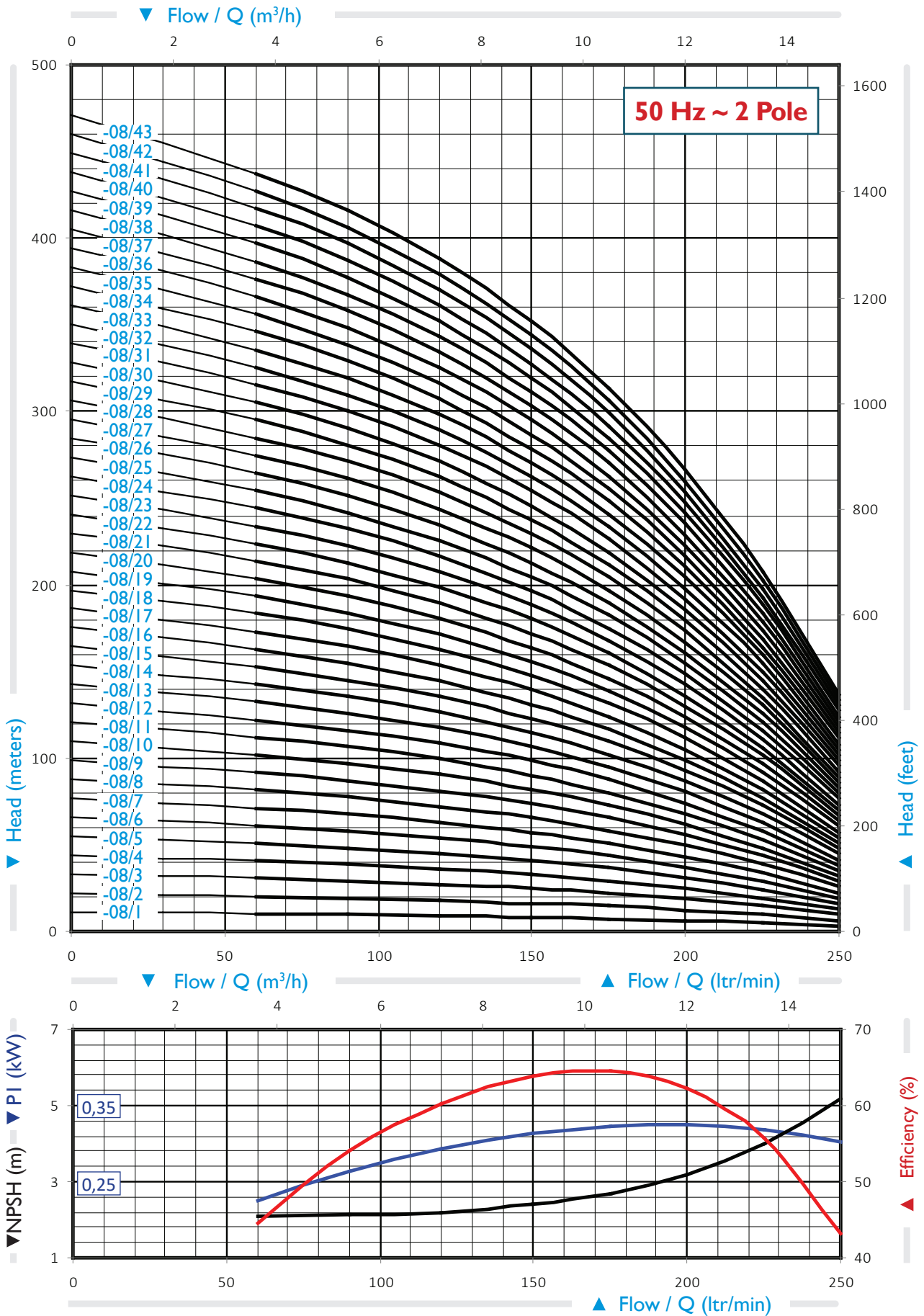
122 MM Outer dia with one (1) cable guard

125 MM Outer dia with two (2) cable guards



Pump Performance Curve

tolerance according to ISO 9906 Annex A



KPS5-08 FOR 5-INCH BORE HOLE



KPS6

6" Borehole Stainless Steel Submersible Pumps

Models Range

KPS6-17, KPS6-20, KPS6-30,
KPS6-50, KPS6-60

Power Range

From: 1 HP (0,75 kW)
To: 70 HP (52 kW)

Performance Range

Flow Upto: 1,300 LPM (78 m³/h)
Head Upto: 567 Meters (1,860 Feet)

Speed Range

2 Poles, 2850 RPM, 50 Hz

Construction Material

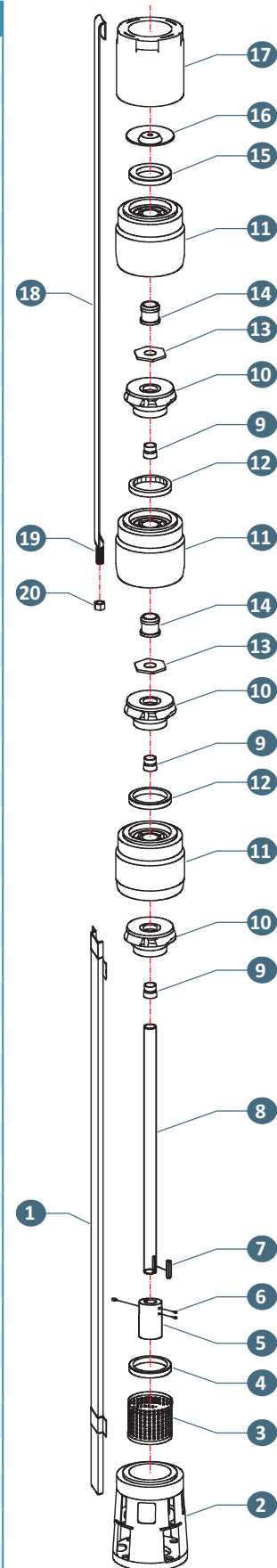
Standard: Stainless Steel 304
Optional: Stainless Steel 316





Parts List Pump KPS6

Pos.	Item Code	Part Name	Material
1	55101260	Cable Guard KPS6	S Steel AISI 304
2A	55121010	Suction Piece 4" NEMA KPS6-17/20	S Steel AISI 304
2B	55121012	Suction Piece 6" NEMA KPS6-17/20	S Steel AISI 304
2C	55121015	Suction Piece 4" NEMA KPS6-30	S Steel AISI 304
2D	55121018	Suction Piece 6" NEMA KPS6-30	S Steel AISI 304
2E	55121020	Suction Piece 4" NEMA KPS6-50/60	S Steel AISI 304
2F	55121023	Suction Piece 6" NEMA KPS6-50/60	S Steel AISI 304
3	55121145	Strainer/Screen KPS6-17/20/30/50/60	S Steel AISI 304
4A	55121140	Impeller Seat Rubber Suction KPS6-17/20	Rubber
4B	55121141	Impeller Seat Rubber Suction KPS6-30	Rubber
4C	55121142	Impeller Seat Rubber Suction KPS6-50/60	Rubber
5A	55121025	Coupling 4"N KPS6-17/20-Shaft 19mm	S Steel AISI 304
5B	55121027	Coupling 6"N KPS6-17/20-Shaft 19mm	S Steel AISI 304
5C	55121030	Coupling 4"N KPS6-30/50/60-Shaft 22mm	S Steel AISI 304
5D	55121033	Coupling 6"N KPS6-30/50/60-Shaft 22mm	S Steel AISI 304
6	55121180	Coupling Screw KPS6-17/20/30/50/60	S Steel AISI 304
7A	55121181A	Coupling Key KPS6-17/20	S Steel AISI 304
7B	55121181B	Coupling Key KPS6-30/50/60	S Steel AISI 304
8A	55121090	Pump Shaft KPS6-17/20 19mm	S Steel AISI 304
8B	55121091	Pump Shaft KPS6-30/50/60 22mm	S Steel AISI 304
9A	55121105D	Threaded Taper Split Cone KPS6-17/20 19mm	S Steel AISI 304
9B	55121108	Threaded Taper Split Cone KPS6-30/50/60 22mm	S Steel AISI 304
10A	55121040	Impeller KPS6-17	S Steel AISI 304
10B	55121045	Impeller KPS6-20	S Steel AISI 304
10C	55121055	Impeller KPS6-30	S Steel AISI 304
10D	55121075	Impeller KPS6-50	S Steel AISI 304
10E	55121080	Impeller KPS6-60	S Steel AISI 304
11A	55121035	Laser Welded Chamber Diffuser SS KPS6-17/20	S Steel AISI 304
11B	55121050	Laser Welded Chamber Diffuser SS KPS6-30	S Steel AISI 304
11C	55121070	Laser Welded Chamber Diffuser SS KPS6-50/60	S Steel AISI 304
12A	55121120	Impeller Seat Rubber KPS6-17/20	Rubber
12B	55121122	Impeller Seat Rubber KPS6-30	Rubber
12C	55121135D	Impeller Seat Rubber KPS6-50/60	Rubber
13A	55121125	Hex Cone Nut 19 mm	S Steel AISI 304
13B	55121130	Hex Cone Nut 22 mm	S Steel AISI 304
14A	55121115	Bush Diffuser Chamber KPS6-17/20	Rubber
14B	55121135	Bush Diffuser Chamber KPS6-30/50/60	Rubber </td
15	55121117	Check Valve Seat	Rubber
16	55121118	Check Valve Disc	S Steel AISI 304
17A	55121000	Delivery Casing KPS6-17/20/30-G3"	S Steel AISI 304
17B	55121005	Delivery Casing KPS6-50/60-G4"	S Steel AISI 304
18	55121034	Tie Rod / Strip 2 x 28 mm	S Steel AISI 304
19A	55121160	Bolt M12x55 KPS6-17/20/30/50/60- 6"N	S Steel AISI 304
19B	55121161	Bolt M10x45 KPS6-17/20/30/50/60- 4"N	S Steel AISI 304
20A	55121163	Nut M12 KPS6-17/20/30/50/60	S Steel AISI 304
20B	55121165	Nut M10 KPS6-17/20/30/50/60	S Steel AISI 304



KPS6

FOR 6-INCH BORE HOLE



KPS6-17
FOR 6-INCH BORE HOLE

50 Hz		PUMP SELECTION CHART - 2-POLE / 2850 RPM										PUMP	
		MOTOR		Q (LPM)	0	100	150	233	283	333	383	Length (mm)	Weight (Kg)
PUMP TYPE	Stage	HP	KW	Q (m3h)	0	6	9	14	17	20	23		
KPS6-17/1	1	1	0,75		10,9	10,6	10,2	9	7,8	6,1	4	333	6
KPS6-17/2	2	2	1,5		22	21	20	18	16	12	8	393	7
KPS6-17/3	3	3	2,2		33	32	31	27	23	18	12	454	8
KPS6-17/4	4	4	3		44	42	41	36	31	24	16	514	9
KPS6-17/5	5	4	3		55	53	51	45	39	31	20	575	10
KPS6-17/6	6	5,5	4		65	64	61	54	47	37	24	635	11
KPS6-17/7	7	5,5	4		76	74	72	63	54	43	28	696	12
KPS6-17/8	8	7,5	5,5		87	85	82	72	62	49	32	756	13
KPS6-17/9	9	7,5	5,5		98	95	92	81	70	55	36	817	14
KPS6-17/10	10	10	7,5		109	106	102	90	78	61	40	877	16
KPS6-17/11	11	10	7,5		120	117	113	99	85	67	45	938	17
KPS6-17/12	12	10	7,5		131	127	123	108	93	73	49	998	18
KPS6-17/13	13	10	7,5		142	138	133	117	101	80	53	1059	19
KPS6-17/14	14	12,5	9,3		153	148	143	126	109	86	57	1119	20
KPS6-17/15	15	12,5	9,3		164	159	154	135	116	92	61	1180	21
KPS6-17/16	16	12,5	9,3		174	170	164	144	124	98	65	1240	22
KPS6-17/17	17	15	11		185	180	174	153	132	104	69	1301	23
KPS6-17/18	18	15	11		196	191	184	162	140	110	73	1361	24
KPS6-17/19	19	15	11		207	201	195	171	148	116	77	1422	25
KPS6-17/20	20	15	11		218	212	205	180	155	122	81	1482	27
KPS6-17/21	21	20	15		229	222	215	189	163	129	85	1543	28
KPS6-17/22	22	20	15		240	233	225	198	171	135	89	1603	29
KPS6-17/23	23	20	15		251	244	236	207	179	141	93	1664	30
KPS6-17/24	24	20	15		262	254	246	216	186	147	97	1724	31
KPS6-17/25	25	20	15		273	265	256	225	194	153	101	1785	32
KPS6-17/26	26	20	15		283	275	266	234	202	159	105	1845	33
KPS6-17/27	27	20	15		294	286	277	243	210	165	109	1906	34
KPS6-17/28	28	25	18,5		305	297	287	252	217	171	113	1966	35
KPS6-17/29	29	25	18,5		316	307	297	261	225	178	117	2027	36
KPS6-17/30	30	25	18,5		327	318	307	270	233	184	121	2087	38
KPS6-17/31	31	25	18,5		338	328	318	279	241	190	125	2148	39
KPS6-17/32	32	25	18,5		349	339	328	288	248	196	130	2208	40
KPS6-17/33	33	25	18,5		360	350	338	297	256	202	134	2269	41
KPS6-17/34	34	30	22		371	360	348	306	264	208	138	2329	42
KPS6-17/35	35	30	22		382	371	359	315	272	214	142	2390	43
KPS6-17/36	36	30	22		392	381	369	324	280	220	146	2450	44
KPS6-17/37	37	30	22		403	392	379	333	287	227	150	2511	45
KPS6-17/38	38	30	22		414	403	389	342	295	233	154	2571	46
KPS6-17/39	39	30	22		425	413	400	351	303	239	158	2632	47
KPS6-17/40	40	35	26		436	424	410	360	311	245	162	2692	49
KPS6-17/42	42	35	26		458	445	430	378	326	257	170	2813	51
KPS6-17/44	44	35	26		480	466	451	396	342	269	178	2934	53
KPS6-17/46	46	35	26		501	487	471	414	357	282	186	3055	55
KPS6-17/48	48	40	30		523	509	492	432	373	294	194	3176	57
KPS6-17/50	50	40	30		545	530	512	450	388	306	202	3297	60
KPS6-17/52	52	40	30		567	551	533	468	404	318	210	3418	62

Head in Meters

3-inch Pump outlet (DN) **148 MM** Outer dia with one (1) cable guard **151 MM** Outer dia with two (2) cable guards



KPS6-20

FOR 6-INCH BORE HOLE

50 Hz		PUMP SELECTION CHART - 2-POLE / 2850 RPM										PUMP	
		MOTOR		Q (LPM)	0	150	250	300	350	400	450	Length (mm)	Weight (Kg)
PUMP TYPE	Stage	HP	KW	Q (m3h)	0	9	15	18	21	24	27		
KPS6-20/1	1	1	0,75		10,7	9,8	8,7	7,8	6,7	5	3	333	6
KPS6-20/2	2	2	1,5		21	20	17	16	13	10	6	393	7
KPS6-20/3	3	3	2,2		32	30	26	23	20	15	9	454	8
KPS6-20/4	4	4	3		43	39	35	31	27	20	12	514	9
KPS6-20/5	5	4	3		54	49	43	39	33	25	15	575	10
KPS6-20/6	6	5,5	4		64	59	52	47	40	31	18	635	11
KPS6-20/7	7	5,5	4		75	69	61	55	47	36	21	696	12
KPS6-20/8	8	7,5	5,5		86	79	69	62	53	41	24	756	13
KPS6-20/9	9	7,5	5,5		97	89	78	70	60	46	27	817	14
KPS6-20/10	10	10	7,5		107	98	87	78	67	51	30	877	16
KPS6-20/11	11	10	7,5		118	108	95	86	73	56	33	938	17
KPS6-20/12	12	10	7,5		129	118	104	94	80	61	36	998	18
KPS6-20/13	13	10	7,5		139	128	113	102	86	66	39	1059	19
KPS6-20/14	14	12,5	9,3		150	138	122	109	93	71	42	1119	20
KPS6-20/15	15	12,5	9,3		161	148	130	117	100	76	45	1180	21
KPS6-20/16	16	12,5	9,3		172	158	139	125	106	81	48	1240	22
KPS6-20/17	17	15	11		182	167	148	133	113	87	51	1301	23
KPS6-20/18	18	15	11		193	177	156	141	120	92	54	1361	24
KPS6-20/19	19	15	11		204	187	165	148	126	97	57	1422	25
KPS6-20/20	20	20	15		214	197	174	156	133	102	60	1482	27
KPS6-20/21	21	20	15		225	207	182	164	140	107	63	1543	28
KPS6-20/22	22	20	15		236	217	191	172	146	112	66	1603	29
KPS6-20/23	23	20	15		247	226	200	180	153	117	69	1664	30
KPS6-20/24	24	20	15		257	236	208	187	160	122	72	1724	31
KPS6-20/25	25	20	15		268	246	217	195	166	127	75	1785	32
KPS6-20/26	26	20	15		279	256	226	203	173	132	78	1845	33
KPS6-20/27	27	25	18,5		290	266	234	211	180	137	81	1906	34
KPS6-20/28	28	25	18,5		300	276	243	219	186	143	84	1966	35
KPS6-20/29	29	25	18,5		311	286	252	227	193	148	87	2027	36
KPS6-20/30	30	25	18,5		322	295	260	234	200	153	90	2087	38
KPS6-20/31	31	25	18,5		332	305	269	242	206	158	93	2148	39
KPS6-20/32	32	25	18,5		343	315	278	250	213	163	96	2208	40
KPS6-20/33	33	30	22		354	325	286	258	219	168	99	2269	41
KPS6-20/34	34	30	22		365	335	295	266	226	173	102	2329	42
KPS6-20/35	35	30	22		375	345	304	273	233	178	105	2390	43
KPS6-20/36	36	30	22		386	354	312	281	239	183	108	2450	44
KPS6-20/37	37	30	22		397	364	321	289	246	188	111	2511	45
KPS6-20/38	38	30	22		407	374	330	297	253	193	114	2571	46
KPS6-20/39	39	30	22		418	384	339	305	259	199	117	2632	47
KPS6-20/40	40	35	26		429	394	347	312	266	204	120	2692	49
KPS6-20/41	41	35	26		440	404	356	320	273	209	123	2753	50
KPS6-20/42	42	35	26		450	414	365	328	279	214	126	2813	51
KPS6-20/44	44	35	26		472	433	382	344	293	224	132	2934	53
KPS6-20/46	46	35	26		493	453	399	359	306	234	138	3055	55
KPS6-20/48	48	40	30		515	473	417	375	319	244	144	3176	57
KPS6-20/50	50	40	30		536	492	434	391	333	255	150	3297	60

Head in Meters

3-inch Pump outlet (DN)

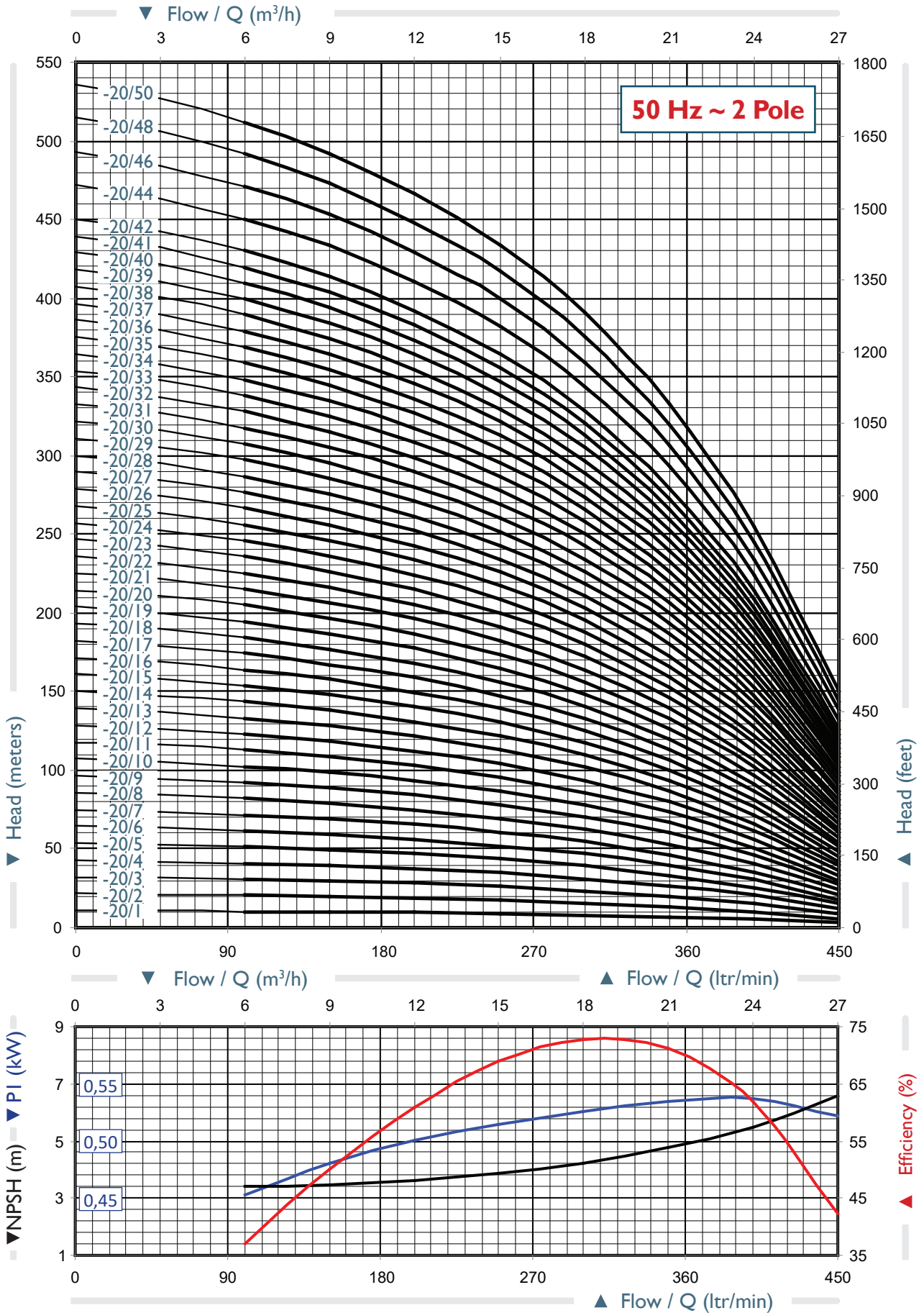
148 MM Outer dia with one (1) cable guard

151 MM Outer dia with two (2) cable guards



Pump Performance Curve

tolerance according to ISO 9906 Annex A



KPS6-20 FOR 6-INCH BORE HOLE



KPS6-30

FOR 6-INCH BORE HOLE

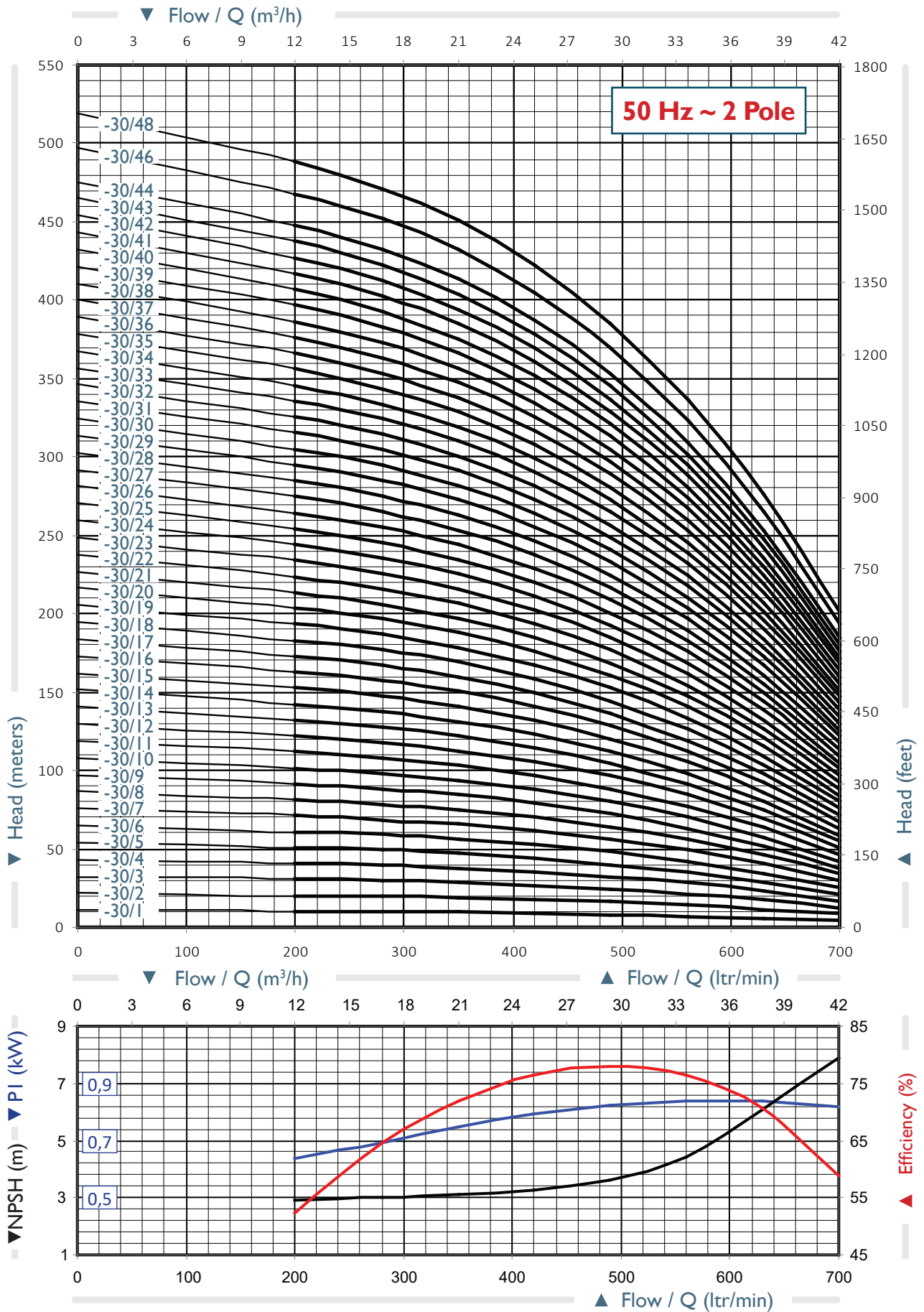
50 Hz		PUMP SELECTION CHART - 2-POLE / 2850 RPM										PUMP	
		MOTOR		Q (LPM)	0	250	350	450	550	650	720	Length (mm)	Weight (Kg)
PUMP TYPE	Stage	HP	KW	Q (m3h)	0	15	21	27	33	39	43		
KPS6-30/1	1	1,5	1,1	Head in Meters	10,8	10	9,4	8,5	7,2	5,3	3,7	368	6
KPS6-30/2	2	3	2,2		22	20	19	17	14	11	7	464	8
KPS6-30/3	3	4	3		32	30	28	25	22	16	11	560	10
KPS6-30/4	4	5,5	4		43	40	38	34	29	21	15	656	11
KPS6-30/5	5	7,5	5,5		54	50	47	42	36	27	18	752	13
KPS6-30/6	6	7,5	5,5		65	60	56	51	43	32	22	848	15
KPS6-30/7	7	10	7,5		76	70	66	59	50	37	26	944	17
KPS6-30/8	8	10	7,5		86	80	75	68	57	43	30	1040	18
KPS6-30/9	9	12,5	9,3		97	90	84	76	65	48	33	1136	20
KPS6-30/10	10	12,5	9,3		108	100	94	85	72	53	37	1232	22
KPS6-30/11	11	12,5	9,3		119	110	103	93	79	59	41	1328	24
KPS6-30/12	12	15	11		130	120	113	102	86	64	44	1424	25
KPS6-30/13	13	15	11		141	130	122	110	93	69	48	1520	27
KPS6-30/14	14	17,5	13		151	140	131	119	101	75	52	1616	29
KPS6-30/15	15	17,5	13		162	149	141	127	108	80	55	1712	31
KPS6-30/16	16	20	15		173	159	150	136	115	85	59	1808	32
KPS6-30/17	17	20	15		184	169	160	144	122	91	63	1904	34
KPS6-30/18	18	25	18,5		195	179	169	153	129	96	67	2000	36
KPS6-30/19	19	25	18,5		205	189	178	161	136	101	70	2096	38
KPS6-30/20	20	25	18,5		216	199	188	170	144	107	74	2192	39
KPS6-30/21	21	25	18,5		227	209	197	178	151	112	78	2288	41
KPS6-30/22	22	30	22		238	219	207	187	158	117	81	2384	43
KPS6-30/23	23	30	22		249	229	216	195	165	123	85	2480	45
KPS6-30/24	24	30	22		259	239	225	204	172	128	89	2576	46
KPS6-30/25	25	30	22		270	249	235	212	179	134	92	2672	48
KPS6-30/26	26	30	22		281	259	244	221	187	139	96	2768	50
KPS6-30/27	27	35	26		292	269	253	229	194	144	100	2864	52
KPS6-30/28	28	35	26		303	279	263	238	201	150	103	2960	53
KPS6-30/29	29	35	26		314	289	272	246	208	155	107	3056	55
KPS6-30/30	30	35	26		324	299	282	255	215	160	111	3152	57
KPS6-30/31	31	40	30		335	309	291	263	223	166	115	3248	59
KPS6-30/32	32	40	30		346	319	300	272	230	171	118	3344	60
KPS6-30/33	33	40	30		357	329	310	280	237	176	122	3440	62
KPS6-30/34	34	40	30		368	339	319	289	244	182	126	3536	64
KPS6-30/35	35	40	30		378	349	329	297	251	187	129	3632	66
KPS6-30/36	36	50	37		389	359	338	306	258	192	133	3728	67
KPS6-30/37	37	50	37		400	369	347	314	266	198	137	3824	69
KPS6-30/38	38	50	37		411	379	357	323	273	203	140	3920	71
KPS6-30/39	39	50	37		422	389	366	331	280	208	144	4016	73
KPS6-30/40	40	50	37		432	399	376	340	287	214	148	4112	74
KPS6-30/41	41	50	37		443	409	385	348	294	219	152	4208	76
KPS6-30/42	42	50	37		454	419	394	357	302	224	155	4304	78
KPS6-30/43	43	50	37		465	429	404	365	309	230	159	4400	80
KPS6-30/44	44	60	45		476	438	413	374	316	235	163	4496	81
KPS6-30/46	46	60	45		497	458	432	391	330	246	170	4688	85
KPS6-30/48	48	60	45		519	478	451	408	345	256	177	4880	88

3-inch Pump outlet (DN) **148 MM** Outer dia with one (1) cable guard **151 MM** Outer dia with two (2) cable guards



Pump Performance Curve

tolerance according to ISO 9906 Annex A



KPS6-30 FOR 6-INCH BORE HOLE



50 Hz		PUMP SELECTION CHART - 2-POLE / 2850 RPM										PUMP	
		MOTOR		Q (LPM)	0	300	500	650	800	950	1100	Length (mm)	Weight (Kg)
PUMP TYPE	Stage	HP	KW	Q (m3h)	0	18	30	39	48	57	66		
KPS6-50/1	1	2	1,5	Head in Meters	13,3	12,1	11	9,8	8,4	6,5	4,3	385	6
KPS6-50/2	2	4	3		27	24	22	20	17	13	9	498	9
KPS6-50/3	3	7,5	5,5		40	36	33	29	25	20	13	611	11
KPS6-50/4	4	10	7,5		53	48	44	39	33	26	17	724	13
KPS6-50/5	5	10	7,5		66	61	55	49	42	33	21	837	15
KPS6-50/6	6	12,5	9,3		80	73	66	59	50	39	26	950	17
KPS6-50/7	7	15	11		93	85	77	69	58	46	30	1063	19
KPS6-50/8	8	17,5	13		106	97	88	79	67	52	34	1176	21
KPS6-50/9	9	20	15		119	109	99	88	75	59	38	1289	24
KPS6-50/10	10	20	15		133	121	110	98	84	65	43	1402	26
KPS6-50/11	11	25	18,5		146	133	121	108	92	72	47	1515	28
KPS6-50/12	12	25	18,5		159	145	132	118	100	78	51	1628	30
KPS6-50/13	13	30	22		172	158	143	128	109	85	55	1741	32
KPS6-50/14	14	30	22		186	170	154	137	117	91	60	1854	34
KPS6-50/15	15	35	26		199	182	165	147	125	98	64	1967	37
KPS6-50/16	16	35	26		212	194	176	157	134	104	68	2080	39
KPS6-50/17	17	35	26		225	206	187	167	142	111	72	2193	41
KPS6-50/18	18	40	30		239	218	198	177	150	117	77	2306	43
KPS6-50/19	19	40	30		252	230	209	187	159	124	81	2419	45
KPS6-50/20	20	40	30		265	242	219	196	167	130	85	2532	47
KPS6-50/21	21	50	37		278	255	230	206	175	137	89	2645	49
KPS6-50/22	22	50	37		292	267	241	216	184	143	94	2758	52
KPS6-50/23	23	50	37		305	279	252	226	192	150	98	2871	54
KPS6-50/24	24	50	37		318	291	263	236	200	156	102	2984	56
KPS6-50/25	25	60	45		331	303	274	245	209	163	106	3097	58
KPS6-50/26	26	60	45		345	315	285	255	217	169	111	3210	60
KPS6-50/27	27	60	45		358	327	296	265	226	176	115	3323	62
KPS6-50/28	28	60	45		371	339	307	275	234	182	119	3436	64
KPS6-50/29	29	60	45		385	352	318	285	242	189	123	3549	67
KPS6-50/30	30	60	45		398	364	329	295	251	196	128	3662	69
KPS6-50/31	31	70	52		411	376	340	304	259	202	132	3775	71
KPS6-50/32	32	70	52		424	388	351	314	267	209	136	3888	73
KPS6-50/33	33	70	52		438	400	362	324	276	215	140	4001	75
KPS6-50/34	34	70	52		451	412	373	334	284	222	145	4114	77
KPS6-50/35	35	70	52		464	424	384	344	292	228	149	4227	80

4-inch Pump outlet (DN)

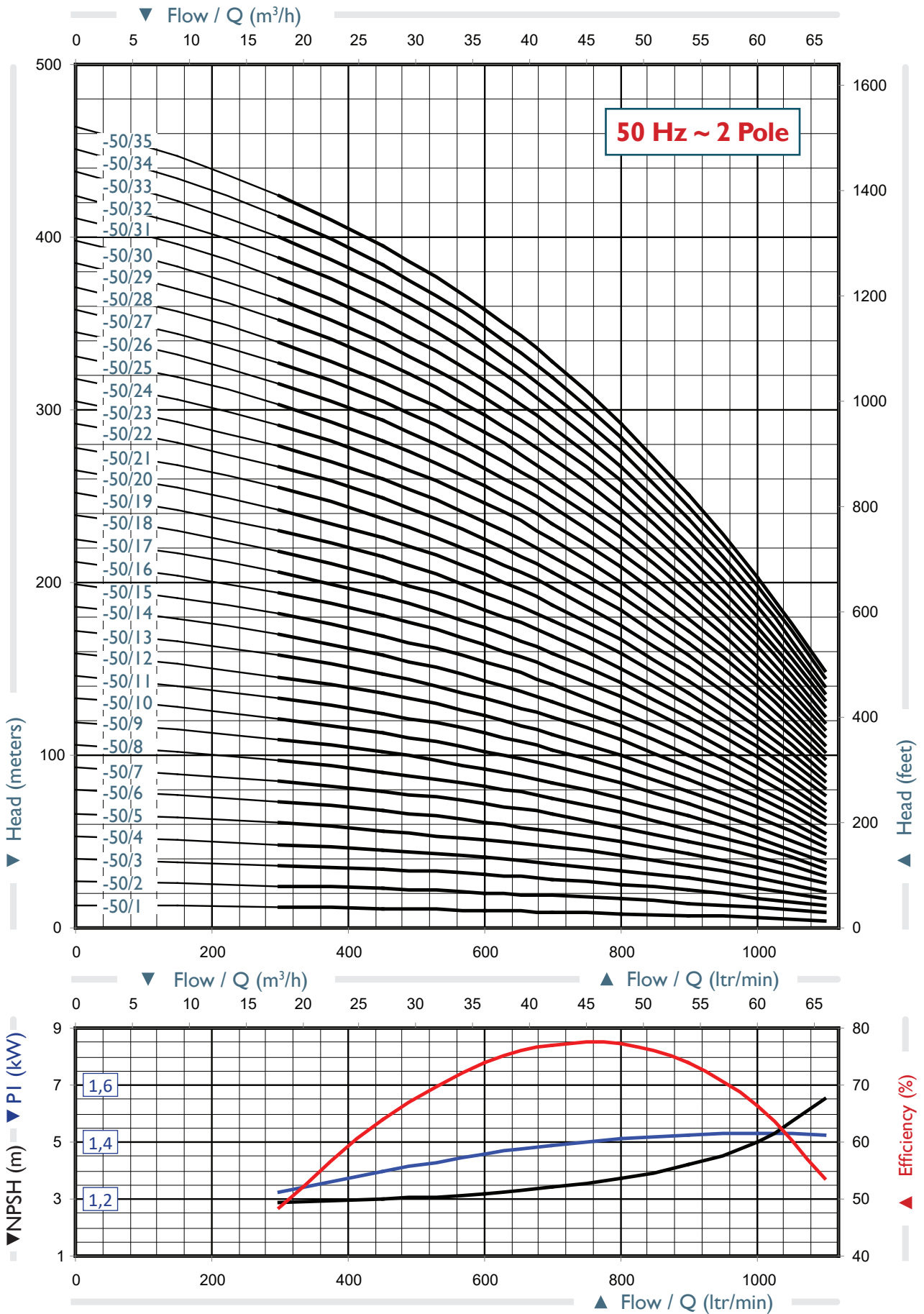
148 MM Outer dia with one (1) cable guard

151 MM Outer dia with two (2) cable guards



Pump Performance Curve

tolerance according to ISO 9906 Annex A



KPS6-50
FOR 6-INCH BORE HOLE



KPS6-60
FOR 6-INCH BORE HOLE

50 Hz		PUMP SELECTION CHART - 2-POLE / 2850 RPM										PUMP	
		MOTOR		Q (LPM)	0	300	500	700	900	1100	1300	Length (mm)	Weight (Kg)
PUMP TYPE	Stage	HP	KW	Q (m3h)	0	18	30	42	54	66	78		
KPS6-60/1	1	3	2,2	Head in Meters	14	13	12	10,7	9	7,2	4,4	385	6
KPS6-60/2	2	5,5	4		28	26	24	21	18	14	9	498	9
KPS6-60/3	3	7,5	5,5		42	39	36	32	28	22	13	611	11
KPS6-60/4	4	10	7,5		56	53	48	43	37	29	18	724	13
KPS6-60/5	5	12,5	9,3		70	66	60	54	46	36	22	837	15
KPS6-60/6	6	15	11		84	79	72	64	55	43	26	950	17
KPS6-60/7	7	17,5	13		98	92	84	75	64	51	31	1063	19
KPS6-60/8	8	20	15		112	105	96	86	74	58	35	1176	21
KPS6-60/9	9	25	18,5		126	118	108	96	83	65	40	1289	24
KPS6-60/10	10	25	18,5		140	132	120	107	92	72	44	1402	26
KPS6-60/11	11	30	22		154	145	132	118	101	80	48	1515	28
KPS6-60/12	12	30	22		168	158	144	129	110	87	53	1628	30
KPS6-60/13	13	35	26		182	171	156	139	120	94	57	1741	32
KPS6-60/14	14	35	26		196	184	168	150	129	101	62	1854	34
KPS6-60/15	15	40	30		210	197	180	161	138	109	66	1967	37
KPS6-60/16	16	40	30		224	210	192	171	147	116	70	2080	39
KPS6-60/17	17	50	37		238	224	204	182	156	123	75	2193	41
KPS6-60/18	18	50	37		252	237	217	193	166	130	79	2306	43
KPS6-60/19	19	50	37		266	250	229	204	175	138	84	2419	45
KPS6-60/20	20	60	45		280	263	241	214	184	145	88	2532	47
KPS6-60/21	21	60	45		294	276	253	225	193	152	92	2645	49
KPS6-60/22	22	60	45		308	289	265	236	202	159	97	2758	52
KPS6-60/23	23	60	45		322	302	277	246	212	167	101	2871	54
KPS6-60/24	24	60	45		336	316	289	257	221	174	106	2984	56
KPS6-60/25	25	70	52		350	329	301	268	230	181	110	3097	58
KPS6-60/26	26	70	52		364	342	313	279	239	188	114	3210	60
KPS6-60/27	27	70	52		378	355	325	289	248	196	119	3323	62

4-inch Pump outlet (DN)

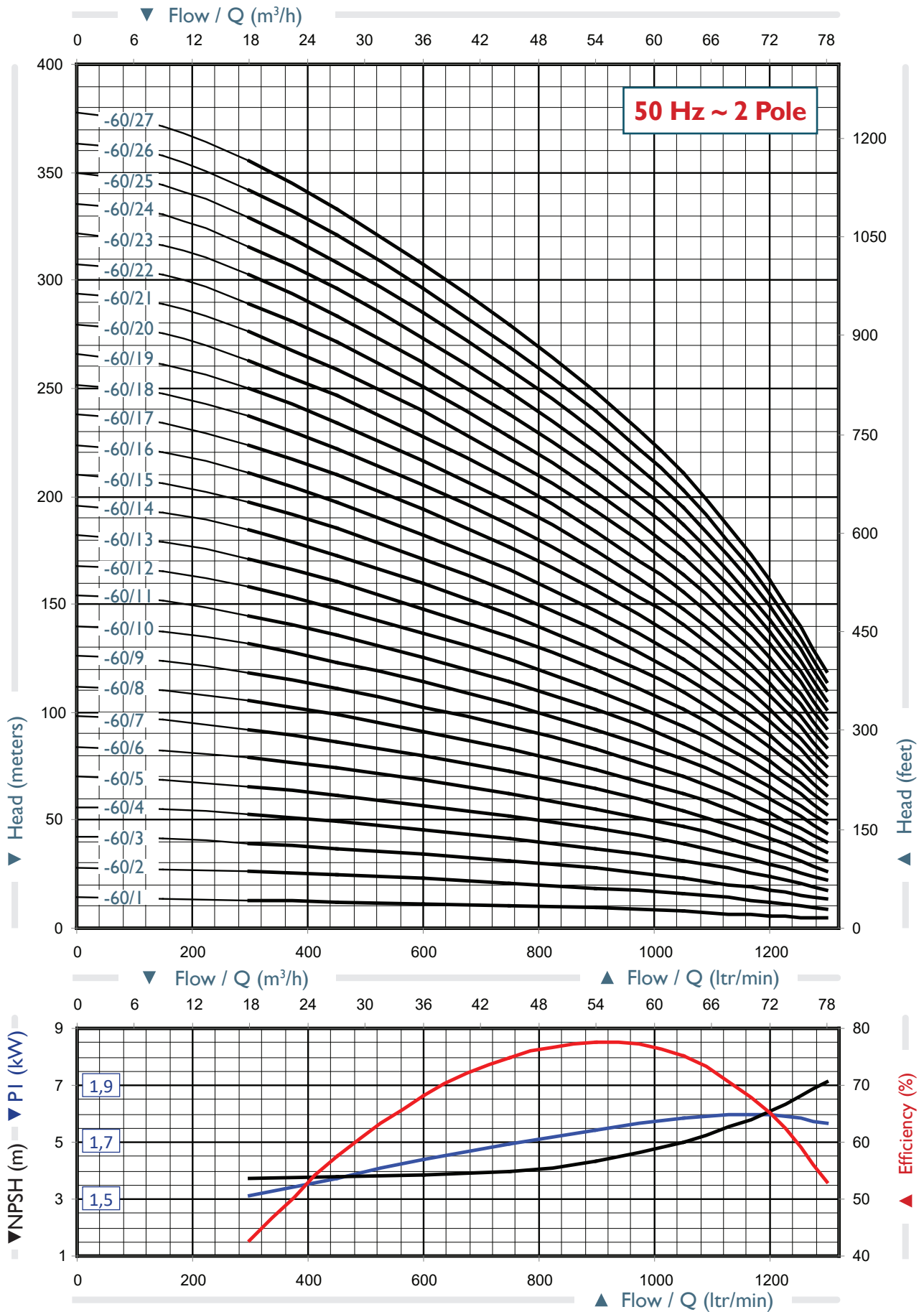
148 MM Outer dia with one (1) cable guard

151 MM Outer dia with two (2) cable guards



Pump Performance Curve

tolerance according to ISO 9906 Annex A



KPS6-60 FOR 6-INCH BORE HOLE



KPS8

8" Borehole Stainless Steel Submersible Pumps

Models Range

KPS8-80, KPS8-100

Power Range

From: 5,5 HP (4 kW)

To: 150 HP (112 kW)

Performance Range

Flow Upto: 2,200 LPM (132 m³/h)

Head Upto: 417 Meters (1,368 Feet)

Speed Range

2 Poles, 2850 RPM, 50 Hz

Construction Material

Standard: Stainless Steel 304

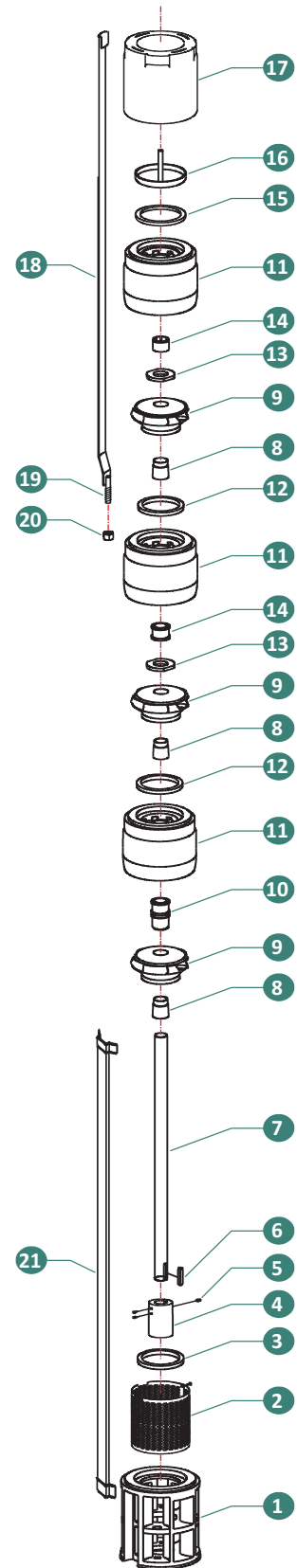
Optional: Stainless Steel 316





Parts List Pump KPS8

Pos.	Item Code	Part Name	Material
1A	55131010	Suction Piece KPS8-80/100- 6"NEMA	Stainless Steel AISI 304
1B	55131015	Suction Piece KPS8-80/100- 8"NEMA	Stainless Steel AISI 304
2	55131025	Strainer / Screen KPS8-80/100	Stainless Steel AISI 304
3	55131020	Rubber Seat Suction KPS8-80/100	Rubber
4A	55131030	Coupling Complete KPS8-80/100- 6"N	Stainless Steel AISI 304
4B	55131035	Coupling Complete KPS8-80/100- 8"N	Stainless Steel AISI 304
5	55131037	Coupling Screw KPS8-80/100	Stainless Steel AISI 304
6	55131267	Coupling Key KPS8-80/100	Stainless Steel AISI 304
7	55131215	Shaft AISI 304 Dia 25mm KPS8-80/100	Stainless Steel AISI 304
8	55131269	Threaded Taper KPS8-80/100	Stainless Steel AISI 304
9A	55131080	Impeller KPS8-80	Stainless Steel AISI 304
9B	55131090	Impeller KPS8-100	Stainless Steel AISI 304
10	55131047D	Stainless Steel + Rubber Bush/Pad First Stage Diffuser KPS8	Stainless Steel + Rubber
11	55131040	Diffuser KPS8-80/100	Stainless Steel AISI 304
12	55131205	Impeller Seat Rubber KPS8-80/100	Rubber
13	55131227	Hex Cone Nut KPS8-80/100	Stainless Steel AISI 304
14	55131065	Bush Diffuser Chamber KPS8-80/100	Rubber
15	55131050	Check Valve Seat	Rubber
16	55131055	Check Valve Disc	Stainless Steel AISI 304
17	55131000	Delivery Casing KPS8-80/100 - G5"	Stainless Steel AISI 304
18	55131250	Tie Rod / Strip KPS8	Stainless Steel AISI 304
19	55131260	Bolt M14 X 80 KPS8-80/100	Stainless Steel AISI 304
20	55131265	Nut KPS8-80/100	Stainless Steel AISI 304
21	55101260	Cable Guard KPS8-80/100	Stainless Steel AISI 304
9+13	55131216	Threaded Taper Cone + Hex Cone Nut 25mm	Stainless Steel AISI 304



KPS8

FOR 8-INCH BORE HOLE



50 Hz		PUMP SELECTION CHART - 2-POLE / 2850 RPM										PUMP	
		MOTOR		Q (LPM)	0	500	900	1150	1400	1650	1900	Length (mm)	Weight (Kg)
PUMP TYPE	Stage	HP	KW	Q (m3h)	0	30	54	69	84	99	114		
KPS8-80/1	1	5,5	4	Head in Meters	20,3	18	15,8	14,3	12,3	9,7	6	550	17
KPS8-80/2	2	10	7,5		41	36	32	29	25	19	12	678	21
KPS8-80/3	3	15	11		61	54	48	43	37	29	18	806	25
KPS8-80/4	4	20	15		81	72	63	57	49	39	24	934	28
KPS8-80/5	5	25	18,5		101	90	79	71	61	48	30	1062	32
KPS8-80/6	6	30	22		122	108	95	86	74	58	36	1190	35
KPS8-80/7	7	35	26		142	126	111	100	86	68	43	1318	39
KPS8-80/8	8	40	30		162	144	127	114	98	77	49	1446	43
KPS8-80/9	9	50	37		182	162	143	128	111	87	55	1574	46
KPS8-80/10	10	60	45		203	180	158	143	123	97	61	1702	50
KPS8-80/11	11	60	45		223	198	174	157	135	106	67	1830	53
KPS8-80/12	12	70	52		243	216	190	171	147	116	73	1958	57
KPS8-80/13	13	70	52		263	234	206	185	160	126	79	2086	61
KPS8-80/14	14	75	55		284	252	222	200	172	135	85	2214	64
KPS8-80/15	15	80	60		304	270	238	214	184	145	91	2342	68
KPS8-80/16	16	90	67		324	288	254	228	197	155	97	2470	71
KPS8-80/17	17	90	67		344	306	269	242	209	164	103	2598	75
KPS8-80/18	18	100	75		365	324	285	257	221	174	109	2726	79
KPS8-80/19	19	100	75		385	342	301	271	233	184	115	2854	82
KPS8-80/20	20	110	82		405	360	317	285	246	193	122	2982	86

5-inch Pump outlet (DN)

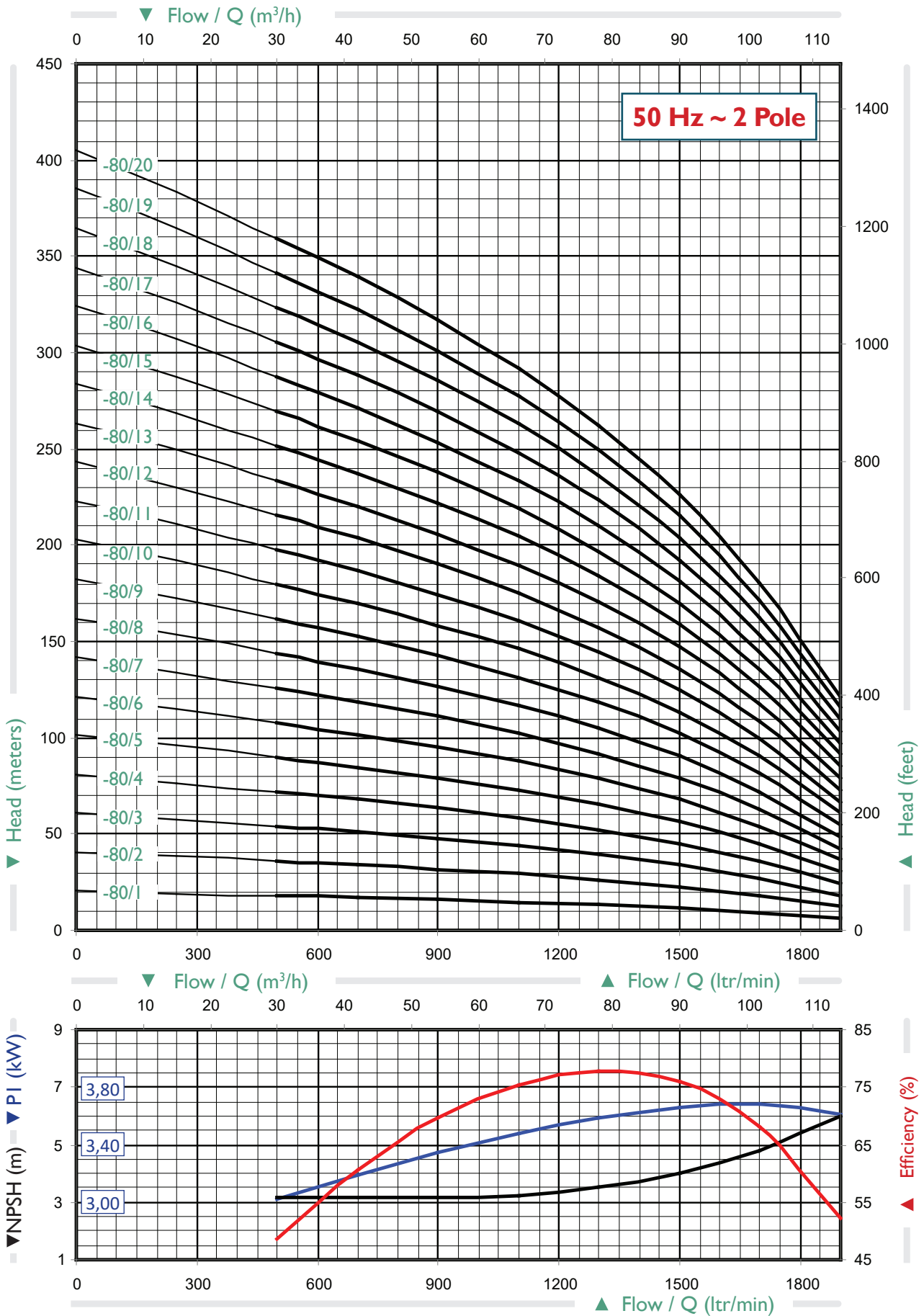
175 MM Outer dia with 6" NEMA Suction Piece

185 MM Outer dia with 8" NEMA Suction Piece



Pump Performance Curve

tolerance according to ISO 9906 Annex A



KPS8-80 FOR 8-INCH BORE HOLE



KPS8-100
FOR 8-INCH BORE HOLE

50 Hz		PUMP SELECTION CHART - 2-POLE / 2850 RPM										PUMP	
		MOTOR		Q (LPM)	0	900	1200	1500	1800	2100	2200	Length (mm)	Weight (Kg)
PUMP TYPE	Stage	HP	KW	Q (m3h)	0	54	72	90	108	126	132		
KPS8-100/1	1	7,5	5,5	Head in Meters	20,8	17,8	15,8	13,6	11,1	7,8	6,4	550	17
KPS8-100/2	2	12,5	9,3		42	36	32	27	22	16	13	678	21
KPS8-100/3	3	20	15		62	53	47	41	33	23	19	806	25
KPS8-100/4	4	25	18,5		83	71	63	54	44	31	25	934	28
KPS8-100/5	5	35	26		104	89	79	68	56	39	32	1062	32
KPS8-100/6	6	40	30		125	107	95	82	67	47	38	1190	35
KPS8-100/7	7	50	37		146	125	110	95	78	54	45	1318	39
KPS8-100/8	8	50	37		167	142	126	109	89	62	51	1446	43
KPS8-100/9	9	60	45		187	160	142	122	100	70	57	1574	46
KPS8-100/10	10	70	52		208	178	158	136	111	78	64	1702	50
KPS8-100/11	11	70	52		229	196	173	150	122	86	70	1830	53
KPS8-100/12	12	80	60		250	214	189	163	133	93	76	1958	57
KPS8-100/13	13	90	67		271	231	205	177	144	101	83	2086	61
KPS8-100/14	14	90	67		292	249	221	190	156	109	89	2214	64
KPS8-100/15	15	100	75		312	267	237	204	167	117	95	2342	68
KPS8-100/16	16	100	75		333	285	252	218	178	125	102	2470	71
KPS8-100/17	17	110	82		354	303	268	231	189	132	108	2598	75
KPS8-100/18	18	125	93		375	320	284	245	200	140	114	2726	79
KPS8-100/19	19	125	93		396	338	300	259	211	148	121	2854	82
KPS8-100/20	20	150	112		417	356	315	272	222	156	127	2982	86

5-inch Pump outlet (DN)

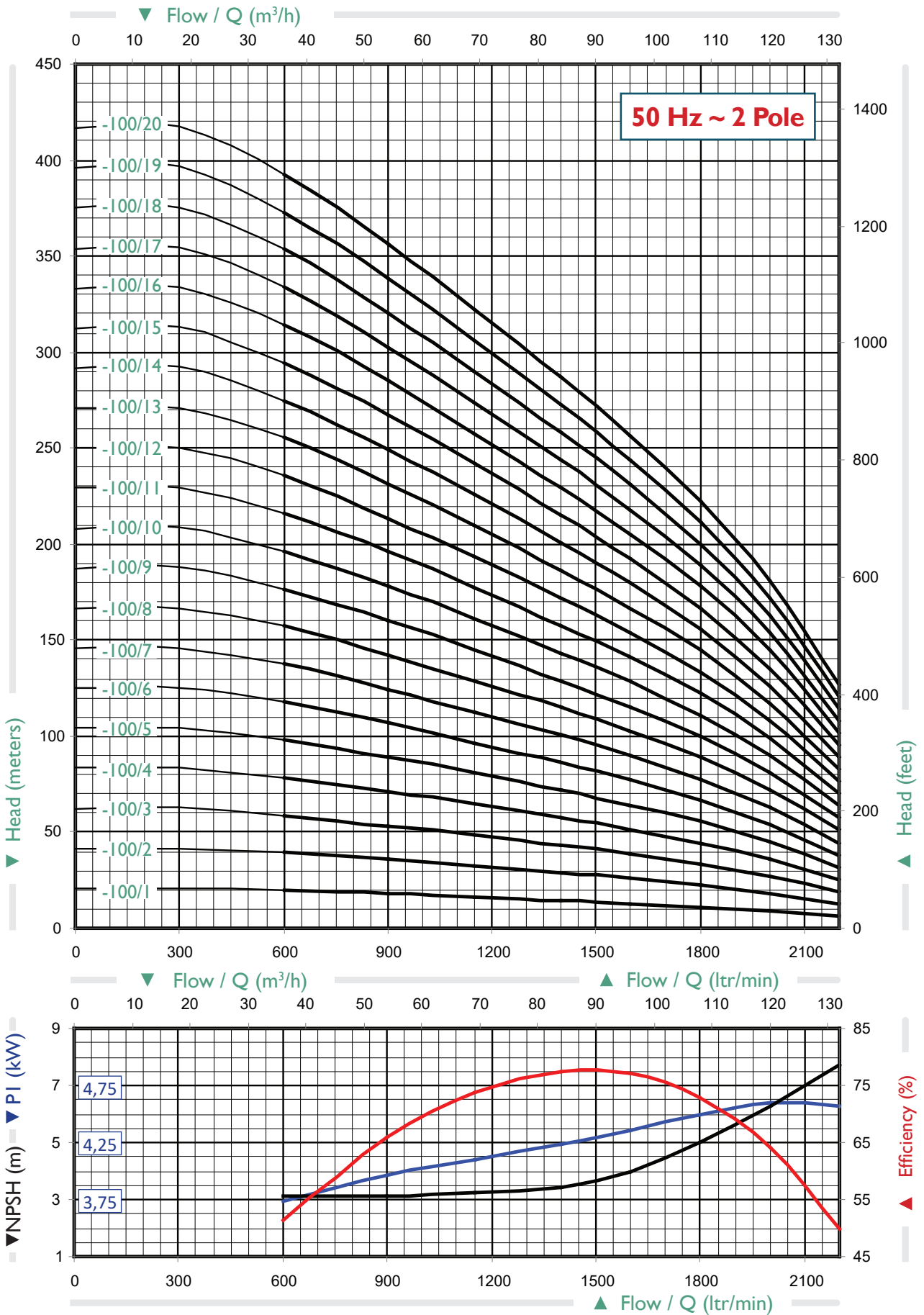
175 MM Outer dia with 6" NEMA Suction Piece

185 MM Outer dia with 8" NEMA Suction Piece



Pump Performance Curve

tolerance according to ISO 9906 Annex A



KPS8-100 FOR 8-INCH BORE HOLE



KPS10

10" Borehole Stainless Steel Submersible Pumps

Models Range

KPS10-125, KPS10-160

Power Range

From: 15 HP (11 kW)

To: 250 HP (186 kW)

Performance Range

Flow Upto: 3,800 LPM (228 m³/h)

Head Upto: 437 Meters (1,434 Feet)

Speed Range

2 Poles, 2850 RPM, 50 Hz

Construction Material

Standard: Stainless Steel 304

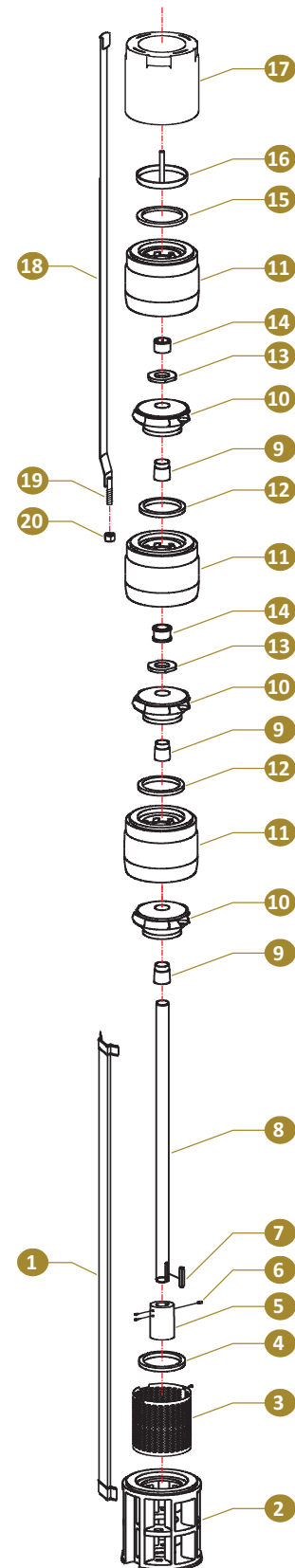
Optional: Stainless Steel 316





Parts List Pump KPS10

Pos.	Item Code	Part Name	Material
1	55101260	Cable Guard	Stainless Steel AISI 304
2A	55141005	Suction Piece KPS10-125- 6" NEMA	Stainless Steel AISI 304
2B	55141010	Suction Piece KPS10-160- 6" NEMA	Stainless Steel AISI 304
2C	55141007	Suction Piece KPS10-125- 8" NEMA	Stainless Steel AISI 304
2D	55141015	Suction Piece KPS10-160- 8" NEMA	Stainless Steel AISI 304
3	55141020	Strainer / Screen KPS10-125/160	Stainless Steel AISI 304
4	55141025	Rubber Seat Suction KPS10-125/160	Rubber
5A	55141030	Coupling Complete KPS10-125/160- 6"N	Stainless Steel AISI 304
5B	55141035	Coupling Complete KPS10-125/160- 8"N	Stainless Steel AISI 304
6	55141075	Coupling Screw KPS10-125/160	Stainless Steel AISI 304
7	55141073	Coupling Key KPS10-125/160	Stainless Steel AISI 304
8	55141027	Pump Shaft 32 mm KPS10-125/160	Stainless Steel AISI 304
9	55141065	Threaded Taper KPS10-125/160	Stainless Steel AISI 304
10A	55141055	Impeller KPS10-125	Stainless Steel AISI 304
10B	55141050	Impeller KPS10-160	Stainless Steel AISI 304
11A	55141045	Diffuser KPS10-125	Stainless Steel AISI 304
11B	55141040	Diffuser KPS10-160	Stainless Steel AISI 304
12	55141063	Impeller Seat Rubber KPS10-125/160	Rubber
13	55141070	Hex Cone Nut KPS10-125/160	Stainless Steel AISI 304
14	55141060	Bush Diffuser Chamber KPS10-125/160	Rubber
15	55141077	Check Valve Seat	Rubber
16	55141080	Check Valve Disc	Stainless Steel AISI 304
17	55141000	Delivery Casing KPS10-125/160 - G5"	Stainless Steel AISI 304
18	55131250	Tie Rod / Strip KPS8	Stainless Steel AISI 304
19	55131280D	Bolt M16 X 85	Stainless Steel AISI 304
20	55131282D	Nut M16	Stainless Steel AISI 304



KPS10

FOR 10-INCH BORE HOLE



KPS10-125
FOR 10-INCH BORE HOLE

50 Hz		PUMP SELECTION CHART - 2-POLE / 2850 RPM										PUMP	
		MOTOR		Q (LPM)	0	1000	1400	1800	2200	2600	3000	Length (mm)	Weight (Kg)
PUMP TYPE	Stage	HP	KW	Q (m3h)	0	60	84	108	132	156	180		
KPS10-125/1	1	15	11	Head in Meters	31,2	26,9	24,6	22,1	19,1	15,2	9,7	610	27
KPS10-125/2	2	30	22		62	54	49	44	38	30	19	766	33
KPS10-125/3	3	40	30		94	81	74	66	57	46	29	922	40
KPS10-125/4	4	50	37		125	108	98	88	77	61	39	1078	46
KPS10-125/5	5	75	55		156	135	123	110	96	76	48	1234	53
KPS10-125/6	6	80	60		187	162	148	133	115	91	58	1390	59
KPS10-125/7	7	90	67		218	188	172	155	134	107	68	1546	66
KPS10-125/8	8	100	75		250	215	197	177	153	122	77	1702	72
KPS10-125/9	9	125	93		281	242	221	199	172	137	87	1858	79
KPS10-125/10	10	125	93		312	269	246	221	191	152	97	2014	86
KPS10-125/11	11	150	112		343	296	271	243	210	168	106	2170	92
KPS10-125/12	12	175	130		374	323	295	265	230	183	116	2326	99
KPS10-125/13	13	175	130		406	350	320	287	249	198	126	2482	105
KPS10-125/14	14	200	150		437	377	344	309	268	213	135	2638	112

6-inch Pump outlet (DN)

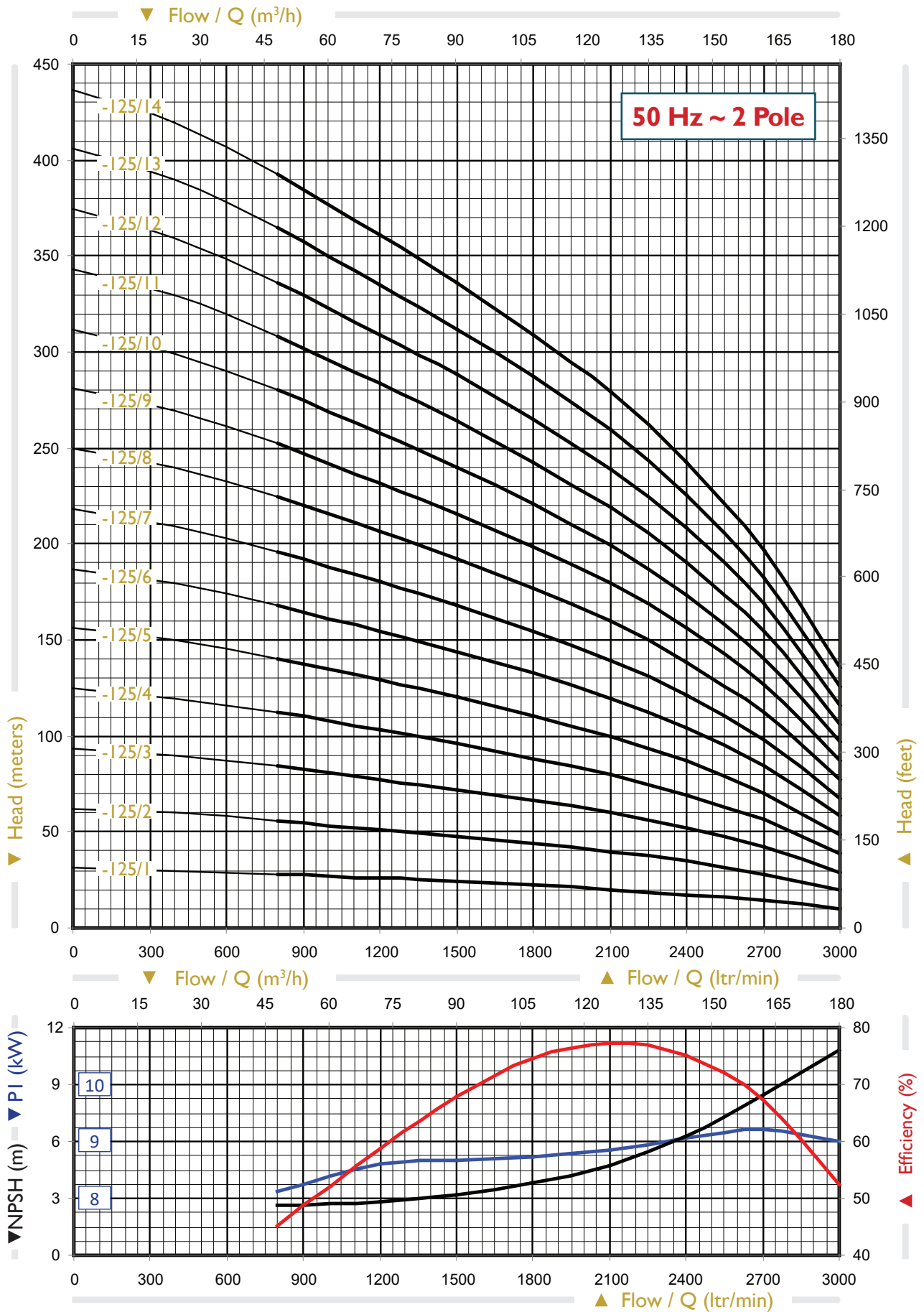
200 MM Outer dia with 6" NEMA Suction Piece

200 MM Outer dia with 8" NEMA Suction Piece



Pump Performance Curve

tolerance according to ISO 9906 Annex A



KPS10-125 FOR 10-INCH BORE HOLE



50 Hz		PUMP SELECTION CHART - 2-POLE / 2850 RPM										PUMP	
		MOTOR		Q (LPM)	0	1400	2200	2600	3000	3400	3800	Length (mm)	Weight (Kg)
PUMP TYPE	Stage	HP	KW	Q (m3h)	0	84	132	156	180	204	228		
KPS10-160/1	1	17,5	13	Head in Meters	33,5	27,8	23,7	21,6	19,4	16,7	12,8	610	27
KPS10-160/2	2	35	26		67	56	47	43	39	33	26	766	33
KPS10-160/3	3	50	37		100	83	71	65	58	50	38	922	40
KPS10-160/4	4	75	55		134	111	95	87	78	67	51	1078	46
KPS10-160/5	5	90	67		167	139	118	108	97	83	64	1234	53
KPS10-160/6	6	100	75		201	167	142	130	117	100	77	1390	59
KPS10-160/7	7	125	93		234	194	166	151	136	117	90	1546	66
KPS10-160/8	8	150	112		268	222	189	173	155	133	103	1702	72
KPS10-160/9	9	150	112		301	250	213	195	175	150	115	1858	79
KPS10-160/10	10	175	130		335	278	237	216	194	167	128	2014	86
KPS10-160/11	11	200	150		368	306	260	238	214	183	141	2170	92
KPS10-160/12	12	250	186		402	333	284	260	233	200	154	2326	99

6-inch Pump outlet (DN)

200 MM Outer dia with 6"NEMA Suction Piece

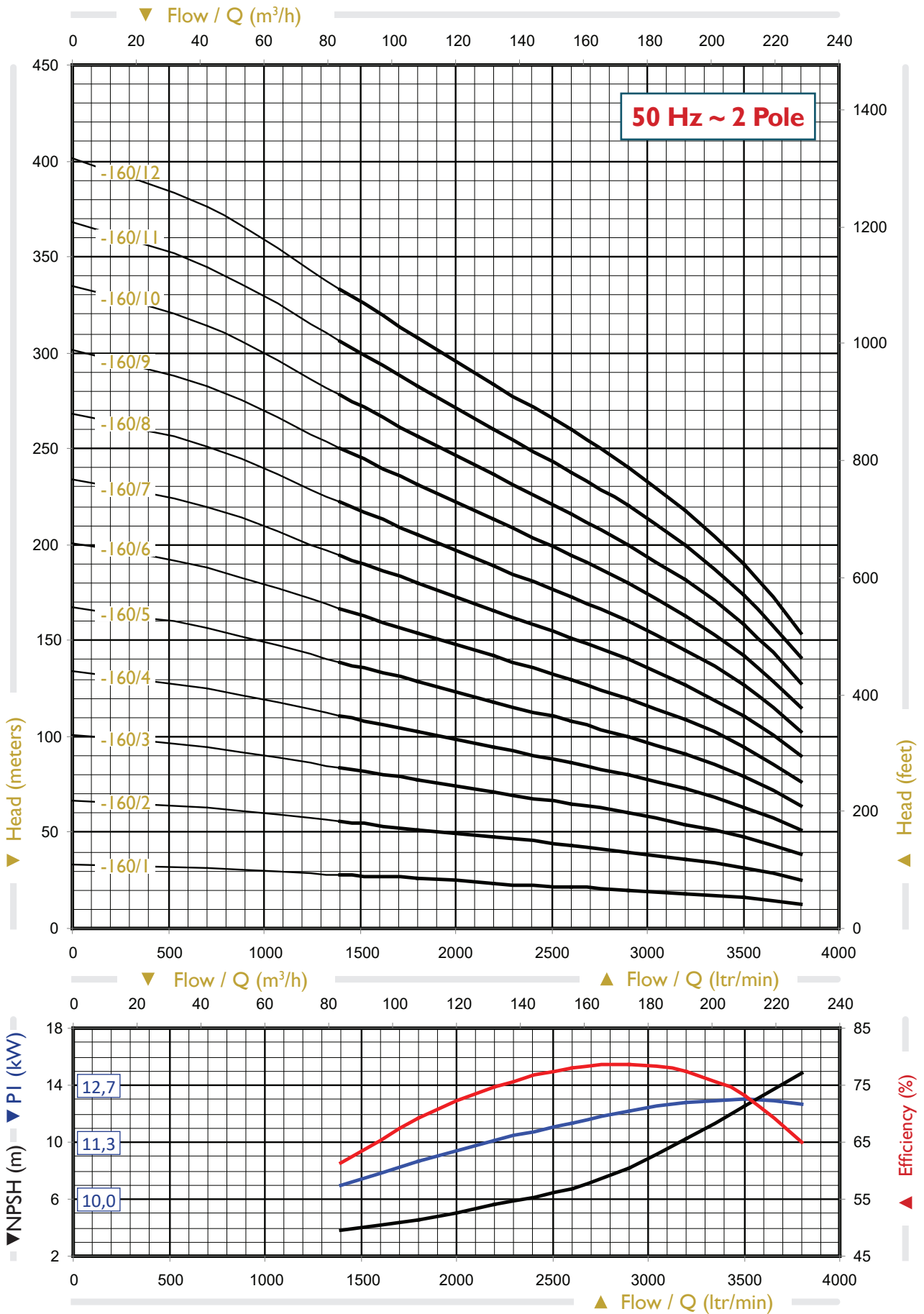
200 MM Outer dia with 8"NEMA Suction Piece

KPS10-160 FOR 10-INCH BORE HOLE



Pump Performance Curve

tolerance according to ISO 9906 Annex A



KPS10-160 FOR 10-INCH BORE HOLE



KPS12

12" Borehole Stainless Steel Submersible Pumps

Models Range

KPS12-220

Power Range

From: 25 HP (18,5 kW)
To: 250 HP (186 kW)

Performance Range

Flow Upto: 5,000 LPM (300 m³/h)
Head Upto: 378 Meters (1,240 Feet)

Speed Range

2 Poles, 2850 RPM, 50 Hz

Construction Material

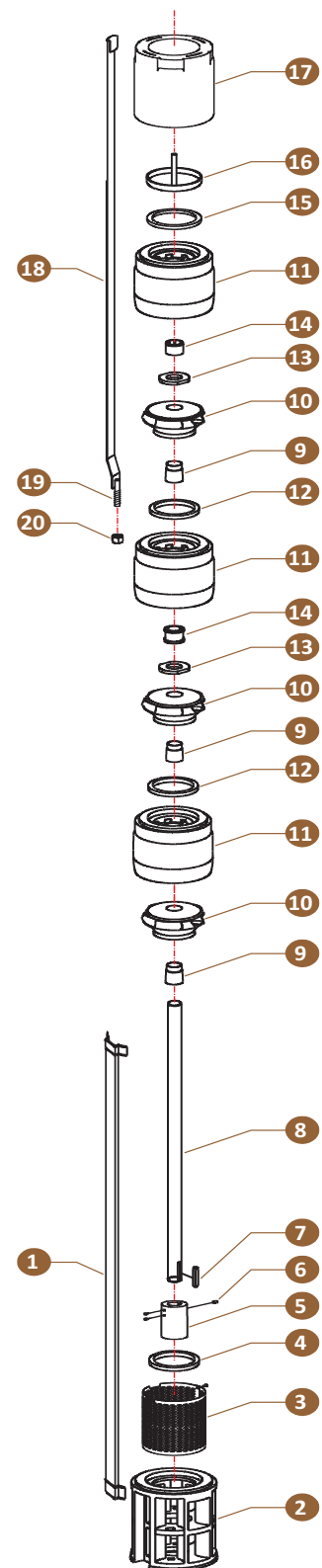
Standard: Stainless Steel 304
Optional: Stainless Steel 316





Parts List Pump KPS12

Pos.	Item Code	Part Name	Material
1	55101260	Cable Guard KPS12	Stainless Steel AISI 304
2A	55151010	Suction Piece KPS12-220- 6" NEMA	Stainless Steel AISI 304
2B	55121015	Suction Piece KPS12-220- 8" NEMA	Stainless Steel AISI 304
3	55151135	Strainer / Screen KPS12	Stainless Steel AISI 304
4	55151100	Rubber Seat Suction KPS12-220	Rubber
5A	55141030	Coupling Complete 32 mm KPS10-12- 6"N	Stainless Steel AISI 304
5B	55141035	Coupling Complete 32 mm KPS10-12- 8"N	Stainless Steel AISI 304
6	55141075	Coupling Screw KPS10-12	Stainless Steel AISI 304
7	55141073	Coupling Key KPS10-12	Stainless Steel AISI 304
8	55151065	Pump Shaft 45 mm KPS12	Stainless Steel AISI 304
9	55151120	Threaded Taper KPS12	Stainless Steel AISI 304
10	55151025	Impeller KPS12-220	Stainless Steel AISI 304
11	55151020	Diffuser KPS12-220	Stainless Steel AISI 304
12	55151105	Impeller Seat Rubber KPS12	Rubber
13	55151115	Hex Cone Nut KPS12	Stainless Steel AISI 304
14	55151110	Bush Diffuser Chamber KPS12-220	Rubber
15	55151125	Check Valve Seat	Rubber
16	55151130	Check Valve Disc	Stainless Steel AISI 304
17	55151000	Delivery Casing Casted KPS12 G6"	Stainless Steel AISI 304
18	55131250	Tie Rod / Strip	Stainless Steel AISI 304
19	55131280D	Bolt M16 X 85	Stainless Steel AISI 304
20	55131282D	Nut M16	Stainless Steel AISI 304



KPS12

FOR 12-INCH BORE HOLE



50 Hz		PUMP SELECTION CHART - 2-POLE / 2850 RPM										PUMP	
		MOTOR		Q (LPM)	0	2000	2600	3200	3700	4300	5000	Length (mm)	Weight (Kg)
PUMP TYPE	Stage	HP	KW	Q (m3h)	0	120	156	192	222	258	300		
KPS12-220/1	1	25	18,5	Head in Meters	37,8	32,8	30,2	27,2	24,3	20	13,5	760	48
KPS12-220/2	2	50	37		76	66	60	54	49	40	27	940	58
KPS12-220/3	3	75	55		113	98	91	82	73	60	41	1120	68
KPS12-220/4	4	100	75		151	131	121	109	97	80	54	1300	77
KPS12-220/5	5	125	93		189	164	151	136	121	100	68	1480	87
KPS12-220/6	6	150	112		227	197	181	163	146	120	81	1660	97
KPS12-220/7	7	175	130		264	230	212	190	170	140	95	1840	107
KPS12-220/8	8	200	150		302	263	242	218	194	160	108	2020	117
KPS12-220/9	9	250	186		340	295	272	245	219	180	122	2200	127
KPS12-220/10	10	250	186		378	328	302	272	243	200	135	2380	137

6-inch Pump outlet (DN) **230 MM** Outer dia with 6" NEMA Suction Piece **240 MM** Outer dia with 8" NEMA Suction Piece

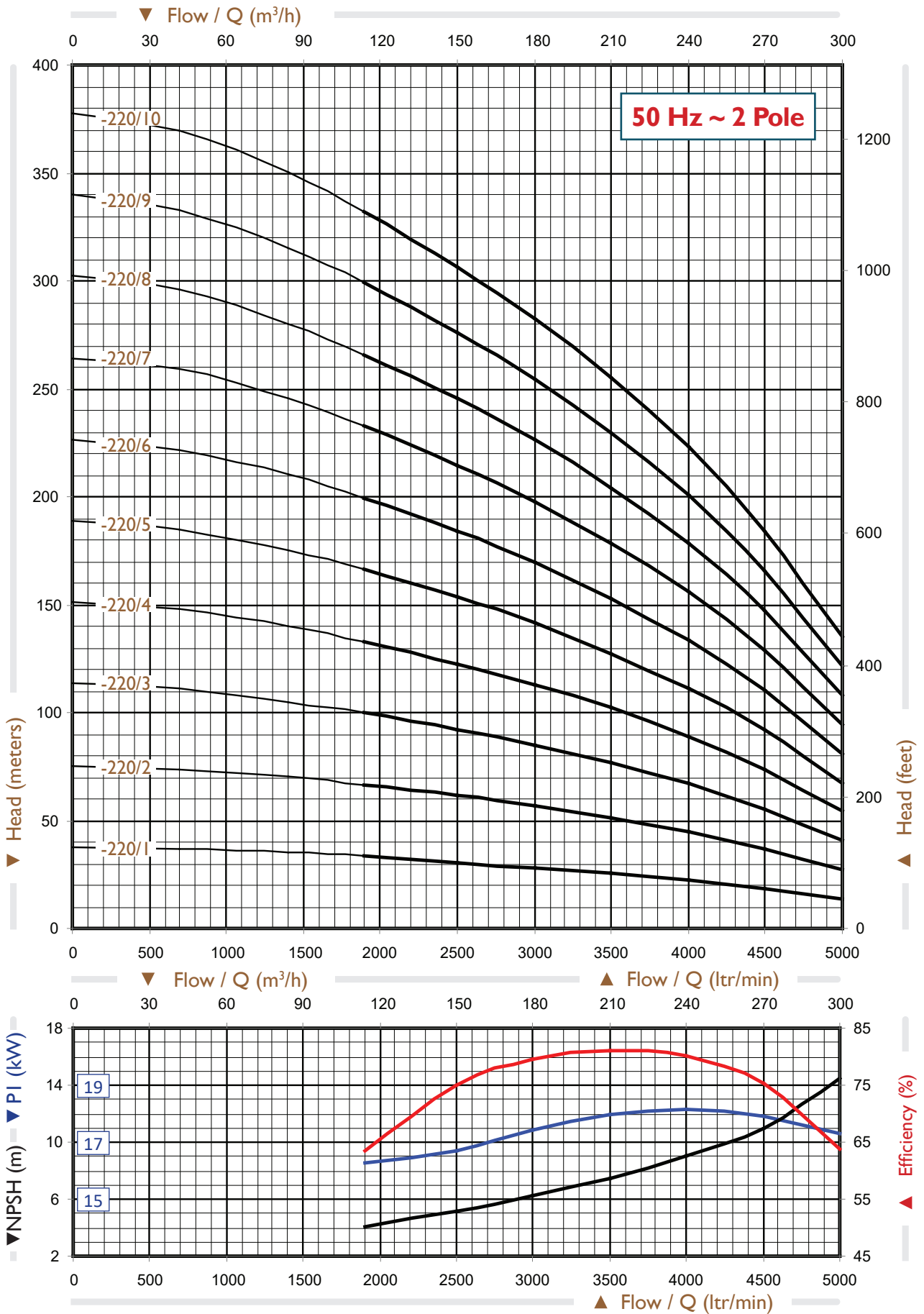
KPS12-220

FOR 12-INCH BORE HOLE



Pump Performance Curve

tolerance according to ISO 9906 Annex A



KPS12-220 FOR 12-INCH BORE HOLE

Also available Complete Range of Submersible Electric Rewindable Motors



KM6 - 6" Range (For 6" Borehole)

From: 5.5 HP (4 kW)
To: 70 HP (52 kW)
380~415V @ 50Hz
230/380/460V @ 60Hz

KM8 - 8" Range (For 8" Borehole)






From: 30 HP (22 kW)
To: 200 HP (150 kW)
380~415V @ 50Hz
380/460V @ 60Hz

KM10 - 10" Range (For 10" Borehole)

From: 75 HP (55 kW)
To: 270 HP (200 kW)
380~415V @ 50Hz
380/460V @ 60Hz



Komax (Private) Limited

-  Plot No. 722, Sundar Industrial Estate,
Raiwind Road, Lahore (Punjab) PAKISTAN
-  +92 345 5222280, +92 300 5707186
-  info@komaxmotor.com
-  www.komaxmotor.com
-  facebook.com/komaxmotor
-  instagram.com/komaxmotor

